

# Isaro Pro

# THORN

## 92904815 IP 72L70-740 SR BPS CL2 M60 ANT

LED 150W IP72L70-740SR IP66 IK09   

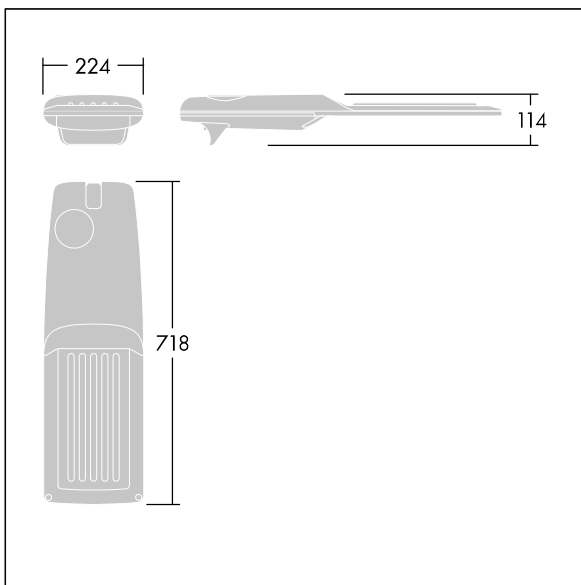
### Isaro Pro

A state of the art LED road lighting lantern (medium) with 72 LEDs driven at 700mA with Staggered Road optic. LED driver. Class II electrical, IP66, IK09. Housing: die-cast aluminium, powder coated textured anthracite (close to RAL7043). Spigot: die-cast aluminium, powder coated textured anthracite (close to RAL7043). Enclosure: 5mm thick glass. Fixings: stainless steel. Supplied with Ø60mm spigot adaptor which can be fitted for post-top (0°/5°/10°/15°/20° tilt) or side-entry (-15°/-10°/-5°/0°/5°/10°/15° tilt). Equipped with 50% power reduction circuit, effective 3 hours before and 5 hours after a calculated midnight. It can be deactivated at installation with an easily accessible internal switch. Complete with 4000K LED. Surge protection: 10kV single pulse common mode and 8kV multipulse common mode and 6kV multipulse differential mode. If permanent DALI system is connected, 6kV multipulse common and differential mode.

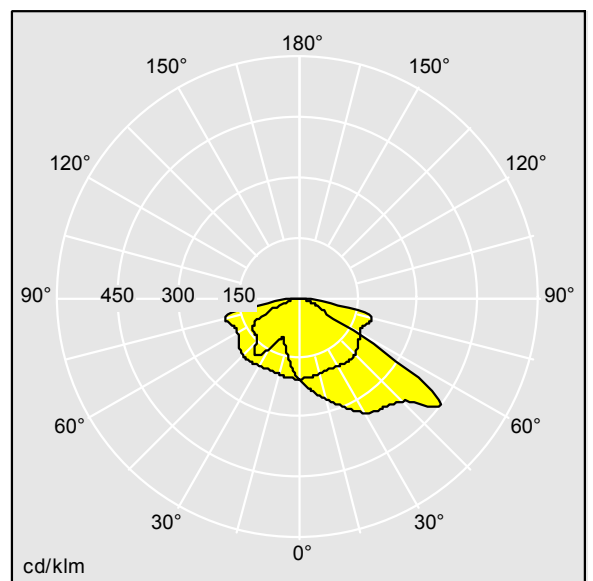
Dimensions: 718 x 224 x 114 mm  
Total power: 150 W  
Luminaire luminous flux: 20675 lm  
Luminaire efficacy: 138 lm/W  
Weight: 7.7 kg  
Scx: 0.066 m<sup>2</sup>



TLG\_ISRP\_F\_M\_PDB\_ANT.jpg



TLG\_ISRP\_M\_LD2.wmf



TL\_IP72L70SR740.ltd

Lamp position: STD - standard  
Light Source: LED  
Luminaire luminous flux\*: 20675 lm  
Luminaire efficacy\*: 138 lm/W  
Lamp efficacy: 137 lm/W  
Colour Rendering Index min.: 70

Correlated colour temperature\*: 4000 Kelvin  
Chromaticity tolerance (initial MacAdam)\*: 5  
Rated useful life (B10)\*:  
100000h L95 at 25°C  
Ballast: 1x LED\_DRV  
Luminaire input power\*: 150 W Lambda = 0.99  
LOR: 1,00 ULOR: 0,00 DLOR: 1,00

All values marked with an \* are rated values. Thorn uses tried and tested components from leading suppliers, however there may be isolated instances of technology-related failures of individual LEDs during the rated product lifetime. International standards set the tolerance in initial flux and connected load at  $\pm 10\%$ . Colour temperature is subject to a tolerance of up to  $\pm 150$  Kelvin from the nominal value. Unless stated otherwise, the values apply to an ambient temperature of 25°C.

In most products the failure of one LED point causes no functional impairment to the lighting performance of the luminaire and is therefore no reason for complaint. Unless otherwise stated all Thorn LED products are suitable for unrestricted use (rated RG0 or RG1) with regard photobiological blue light safety (IEC/EN60598-1).

Thorn Lighting is constantly developing and improving its products. The right is reserved to change specifications without prior notification or public announcement.  
© Thorn Lighting